

Magellan
by TRIANGLE

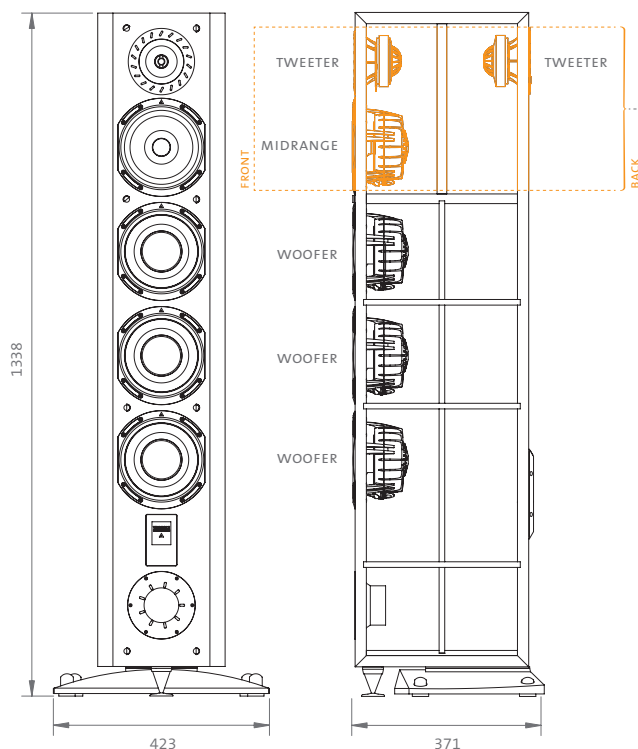


QUATUOR

*A unique experience among
high-end loudspeakers.*

*H*igh-gloss lacquer finish available in Black,
White, Mahogany or Bubinga on *Quatuor*.

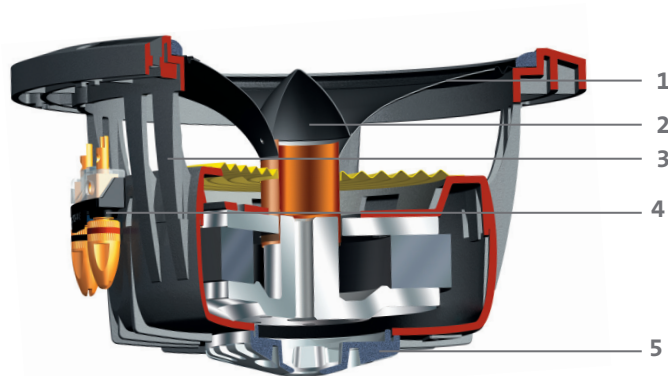
TECHNICAL SPECIFICATIONS



MAGELLAN UNIQUE SYSTEM

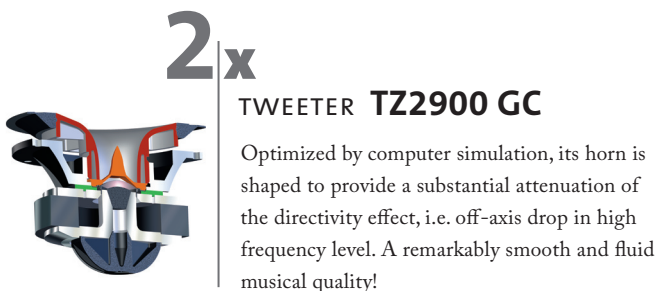
The **BI-POLAR** arrangement is designed to faithfully reproduce the soundstage by diffusing a 360° sound image.

NUMBER OF DRIVERS	6
NUMBER OF WAYS	3
TWEETER (2 x)	TZ2900 GC
MIDRANGE	T16GMF100-THG06
WOOFER (3 x)	T16GM-MT15-GC2
SENSITIVITY (dB/W/m)	90
FREQUENCY RANGE (+/- 3dB Hz-KHz)	33 – 20
POWER HANDLING (W)	260
REPETITIVE PEAK POWER	500
SPL MAX (dB)	113
NOMINAL IMPEDANCE (Ω)	8
MINIMUM IMPEDANCE (Ω)	3
LOW FREQUENCY ROLL-OFF (Hz)	400 (12dB/Oct)
HIGH FREQUENCY ROLL-OFF (Hz)	2800 (24dB/Oct)
DIMENSIONS (HxLxPmm)	1338 x 423 x 371
WEIGHT (Kg)	45



1x MIDRANGE **T16GMF100-THG06**

1. The new diaphragm, made of latex-impregnated textile fibres, has an improved profile and an S-shaped suspension for optimum flexibility.
2. The System features an ultra light cone attached to the diaphragm. This part is molded in polypropylene and covered with a high damping latex.
3. Die-cast aluminium basket. The rear cover is shaped to act as a heat dissipator.
4. Special connection block on T16PG, T16GM and T21GM series drivers.
5. This heat transmission ring optimizes the heat transfer to the rear cover(LHS2System).



2x TWEETER **TZ2900 GC**

Optimized by computer simulation, its horn is shaped to provide a substantial attenuation of the directivity effect, i.e. off-axis drop in high frequency level. A remarkably smooth and fluid musical quality!



3x WOOFER **T16GM-MT15-GC2**

In the MAGELLAN range, the WOOFERS deliver realistic acoustic levels with minimum distortion.

