

innuos



STATEMENT

Quick Start Guide

Thank you for buying our Music Server.

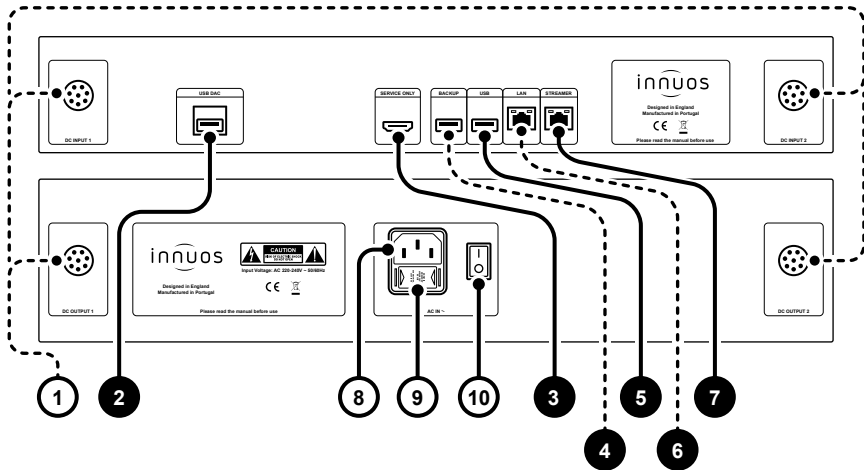
This quick start guide will show you how to get started with your new Music Server.

For more detailed information please read our innuOS manual innuos.com/en/go/innuos-manual

Should you have problems please contact support@innuos.com and we'll be happy to assist you.

Contents

| | | |
|-----------|---|----|
| 1 | Statement Rear Panel Diagram | 2 |
| 2 | Box Contents | 3 |
| 3 | Connect your System to mains power | 4 |
| 4 | Connect your System to your home network | 5 |
| 5 | Connect Network Audio Device to Streamer Port | 6 |
| 6 | Turn on your System | 7 |
| 7 | Update innuOS software to the latest version | 8 |
| 8 | Adding music to your System | 9 |
| 9 | Using your System as a Player | 11 |
| 10 | Connecting to a UPnP / DLNA system | 12 |
| 11 | Using Player Apps | 13 |
| 12 | Connecting to a Sonos system | 16 |
| 13 | Using your System with Roon | 18 |
| 14 | Turn off your System | 20 |



1 Umbilical Power Connections

2 Re-clocked USB DAC output

3 HDMI Output (Service Only)

4 USB for Backup Drive (USB 3.0)

5 USB output (USB 2.0)

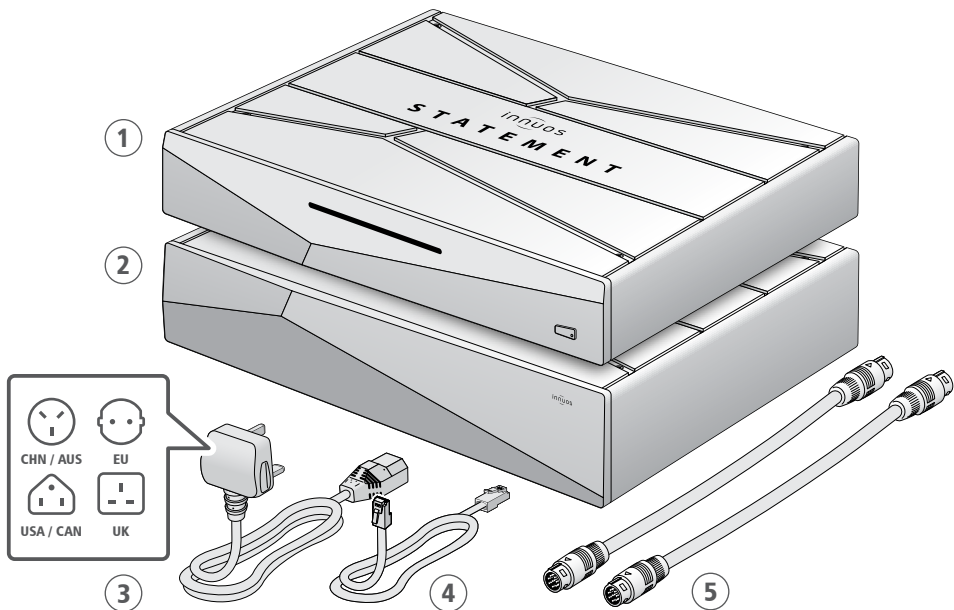
6 Re-clocked Ethernet Input Port

7 Re-clocked Ethernet
Streamer Output Port

8 Mains Power Connector

9 Fuse Box

10 On/Off Switch



① Innuos Statement Music Server

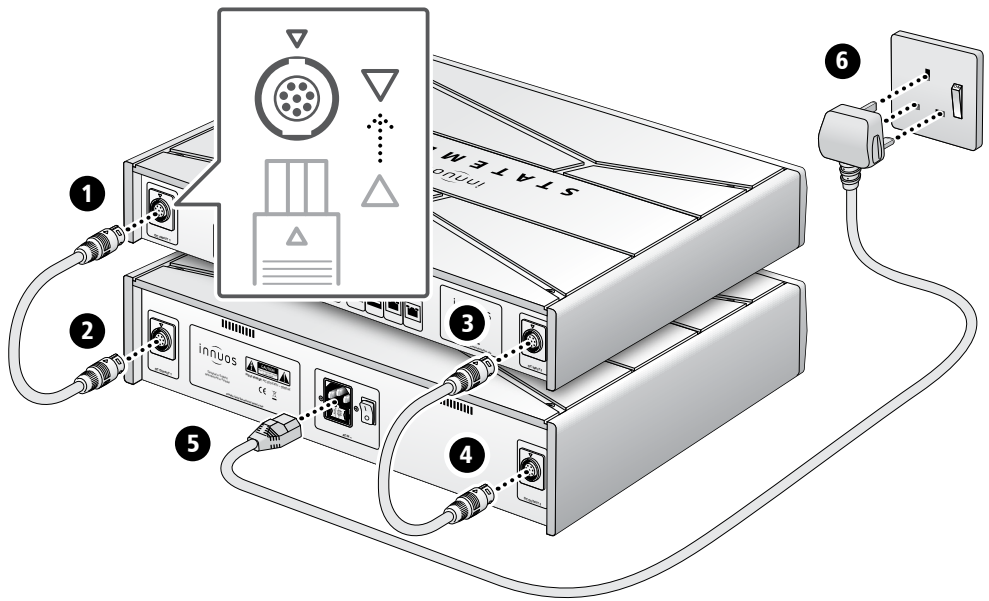
② Innuos Statement Power Unit

③ Mains Cable

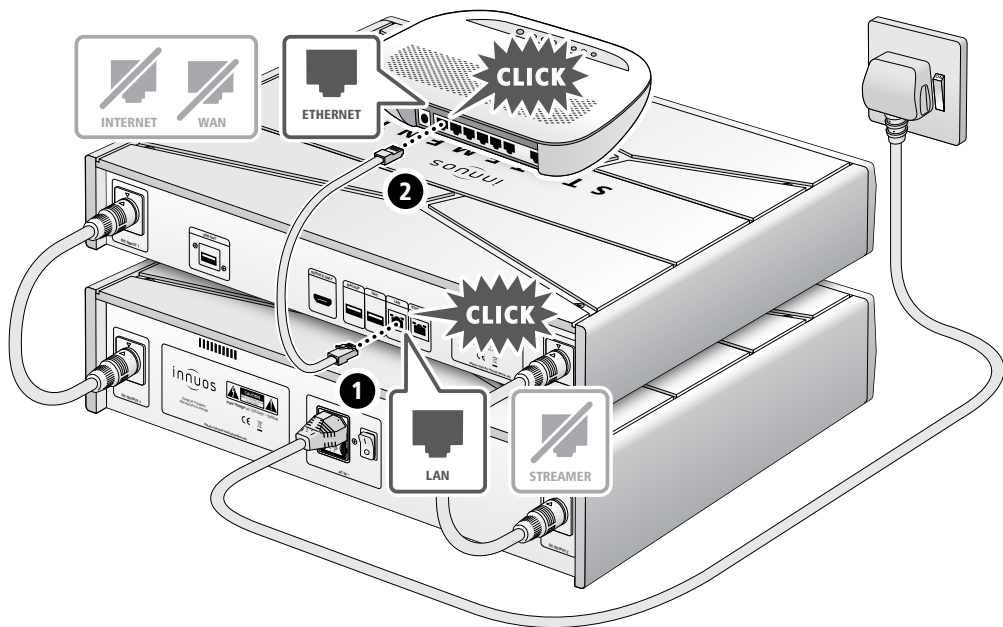
④ Ethernet Cable

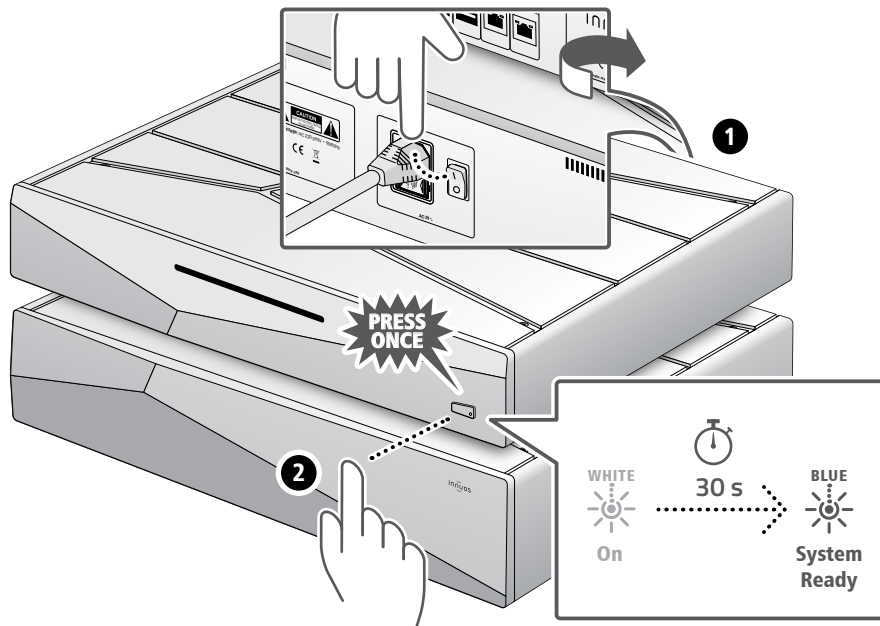
⑤ 2x Umbilical Interconnect

3 Connect your System to mains power

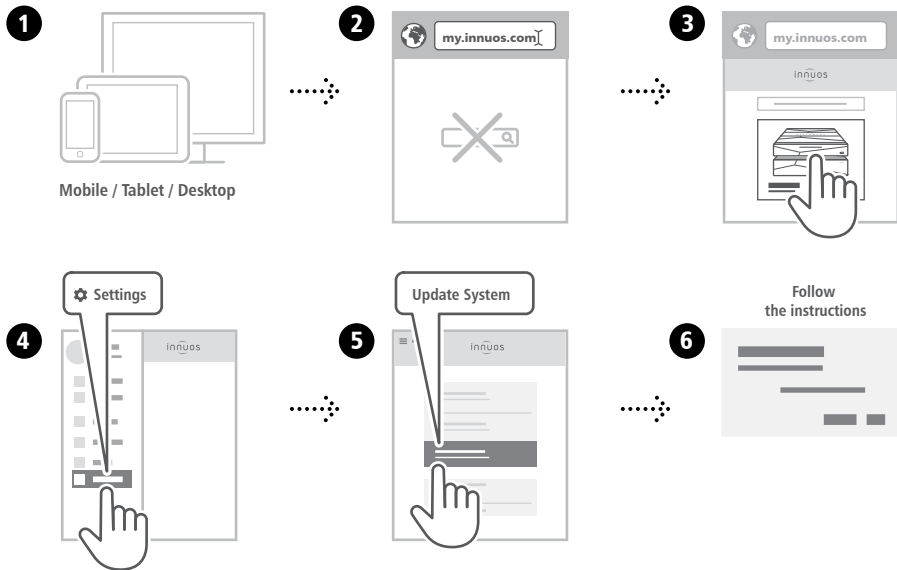


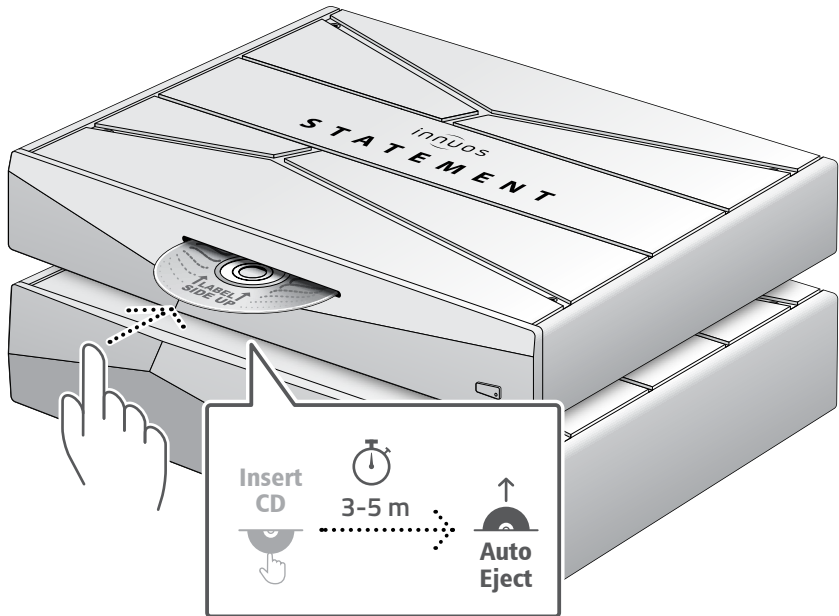
Wired to the Internet Router





Please press and release. Do not hold the front power button down.



OPTION A Rip CDs

Do not push the CD while it is being drawn in as this may cause it to jam or damage the optical drive.

OPTION B Import Digital Music

1



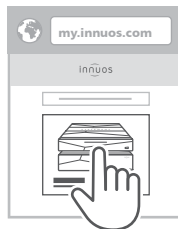
Mobile / Tablet / Desktop



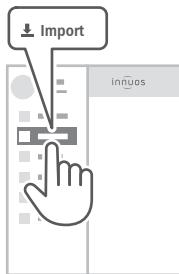
2



3



4

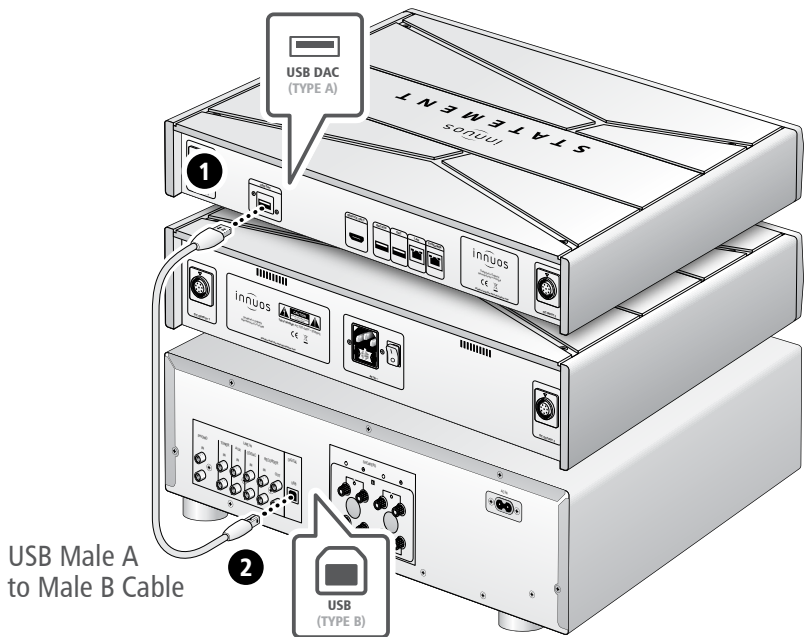


5

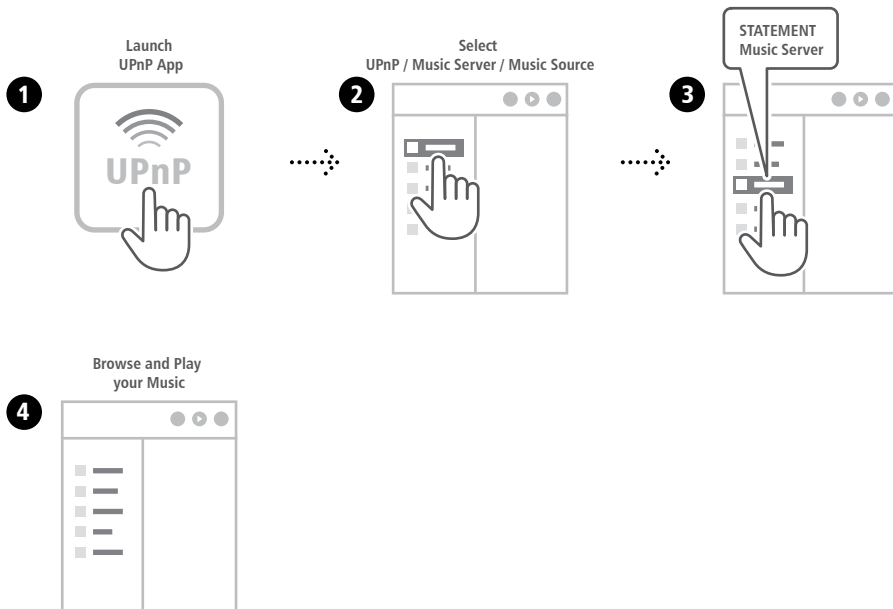


6



SETUP A Connect to a DAC/Amplifier via USB

Note: USB Cable not included. Requires DAC compatible with USB Audio Class 2.



The UPnP app is provided by the manufacturer of your streamer, ie. Bose, B&O, Naim, Bluesound, etc.

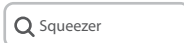
Recommended Remote Control App



iPhone / iPad / iPod Touch



Android / Kindle Fire



Windows 8 / 10



These control apps are to be used when the server is connected as a player by USB.

1 Setup Streaming Services (Optional)

1



Mobile / Tablet / Desktop

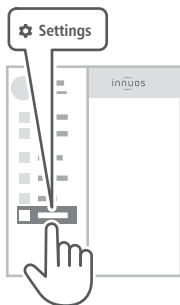
2



3



4



5



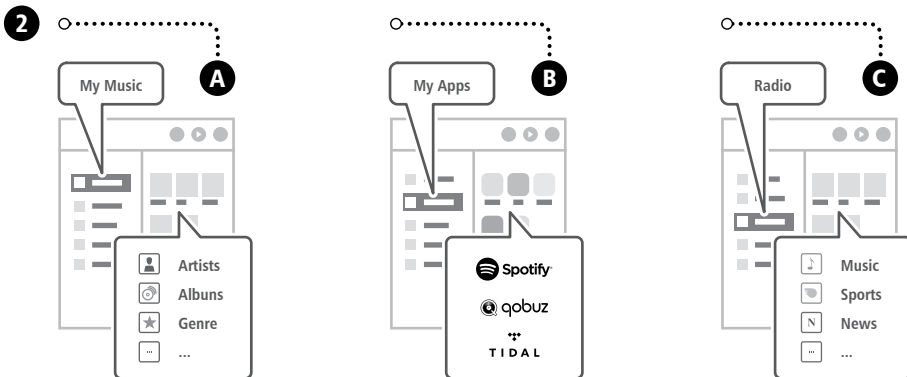
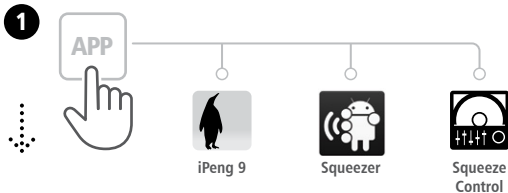
6



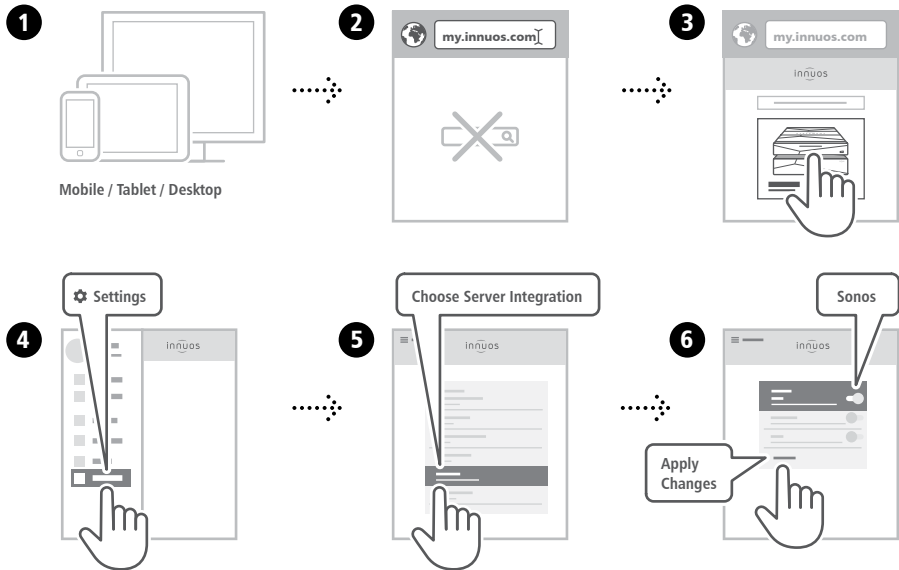
Streaming Apps require a premium account subscription.

2 Play your music

Launch your App (iPeng 9 / Squeezer / Squeeze Control)



If the server is not found, please contact us at support@innuos.com

1 Setup

2 Play

1

Launch Sonos App
(Android / iOS)

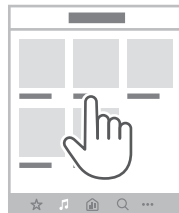


2



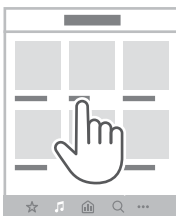
3

Browse by:
Artists / Albums / Genres / ...



4

Choose
the desired album

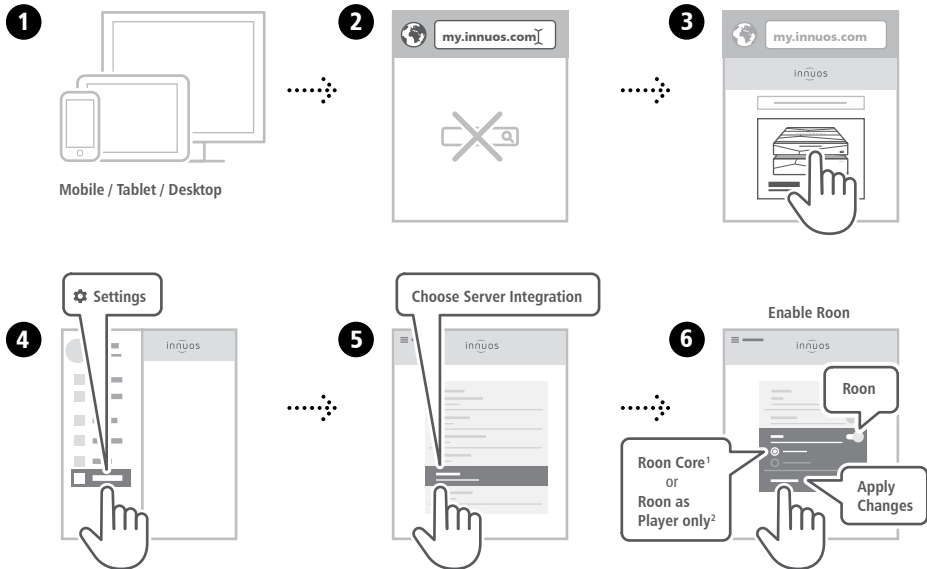


5

Play



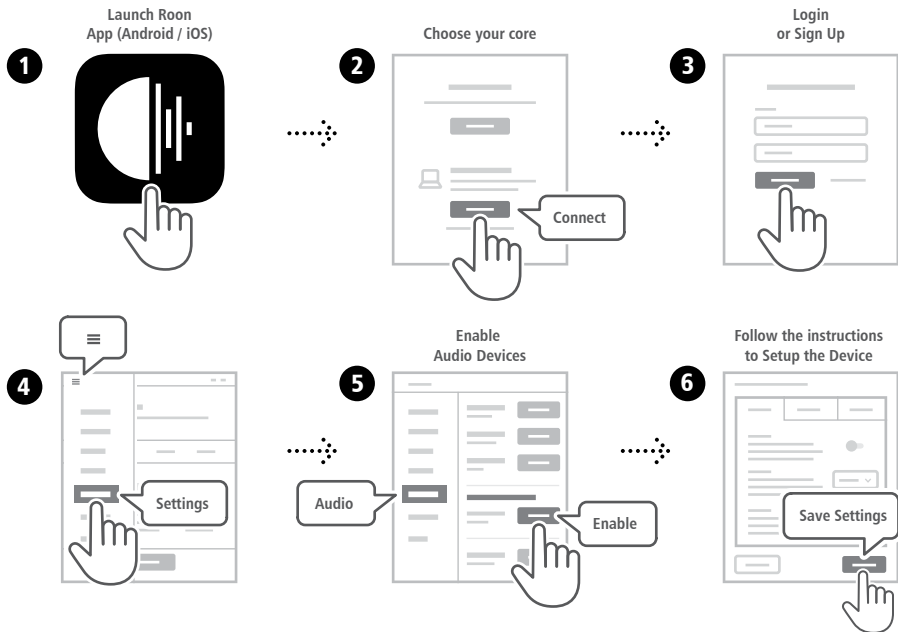
1 Enable Roon on innuOS

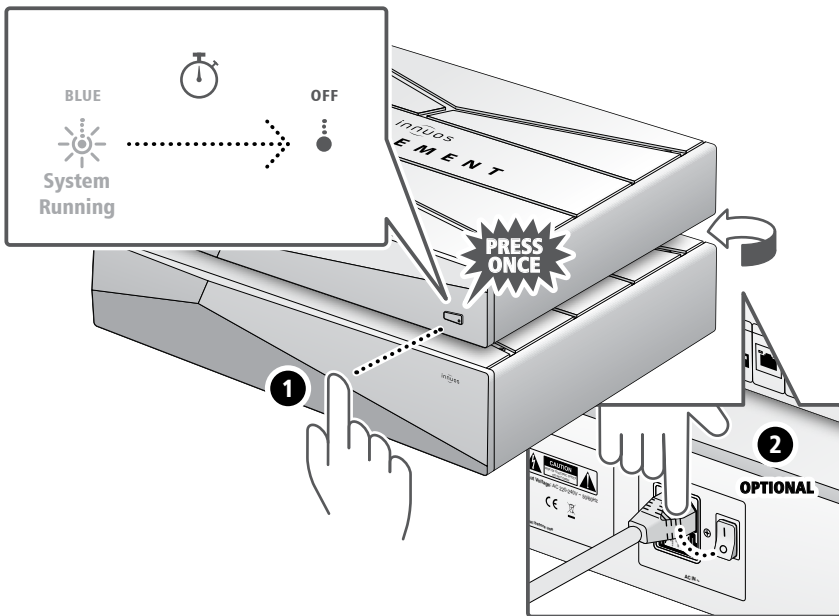


¹**Roon Core:** Select if you want to use this server as Roon Server and Player.

²**Roon as Player only:** Select if you are running Roon Core on another system.

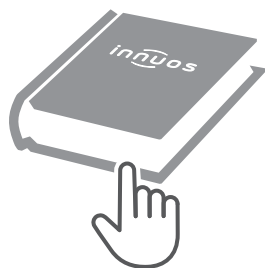
2 Setup Roon Core





Please press and release. Do not hold the front power button down.

Notes: _____



For more information and for the latest version of this quick start guide please visit:

innuos.com/support