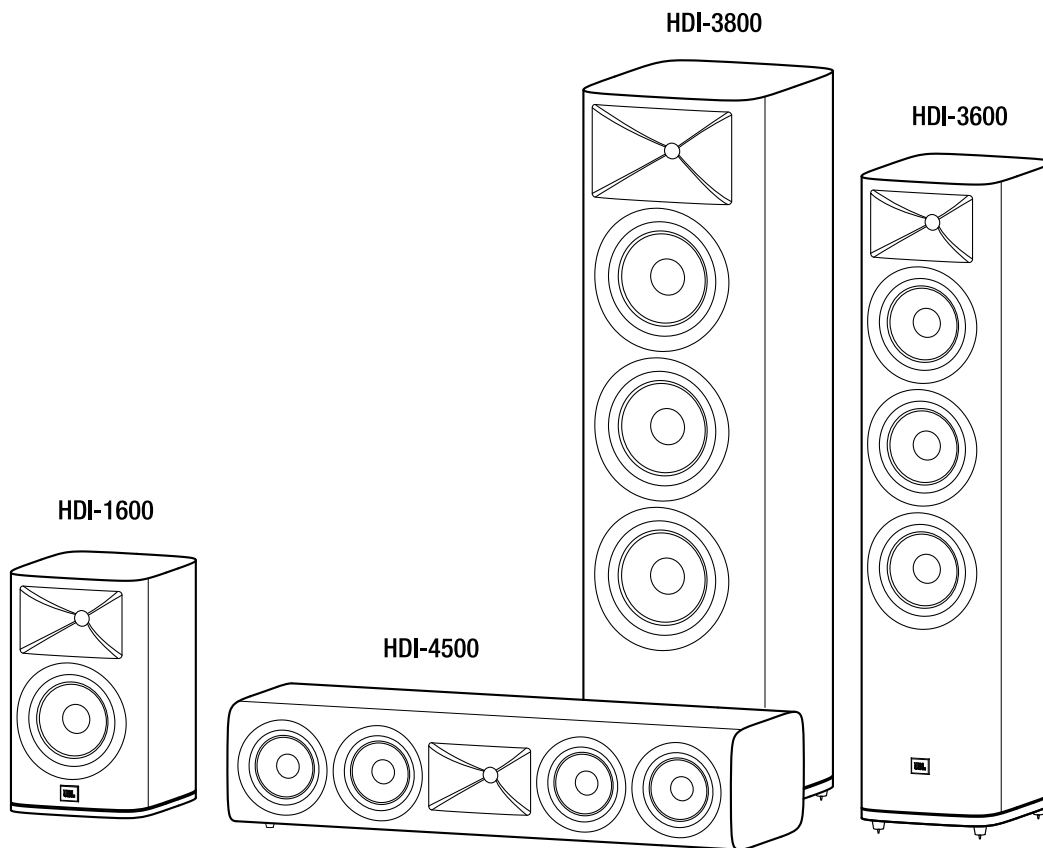




# JBL<sup>®</sup> HDI SERIES

Loudspeakers



**OWNER'S MANUAL**

## THANK YOU FOR CHOOSING THIS JBL® PRODUCT

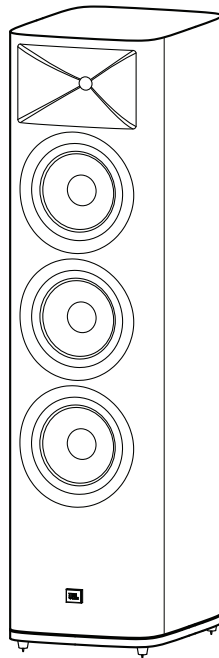
For more than 60 years, JBL® engineers have been involved in every aspect of music and film recording and reproduction, from live performances to the recordings you play on the go and in your home, car or office.

We're confident that the JBL system you have chosen will provide every note of enjoyment you expect – and that when you think about purchasing additional audio equipment for your home, car or office, you will once again choose JBL products.

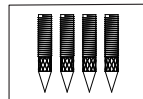
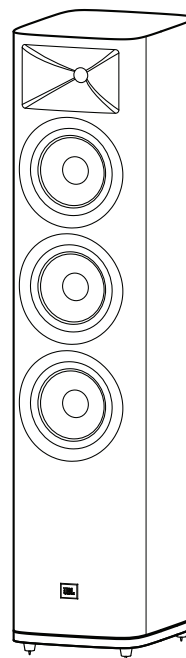
Please take a moment to register your new product on our Web site, [www.jblsynthesis.com](http://www.jblsynthesis.com). Registering enables us to keep you posted on our latest advancements and helps us to understand our customers and build products that meet their needs.

## INCLUDED ITEMS

**HDI-3800**

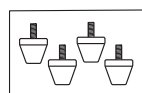
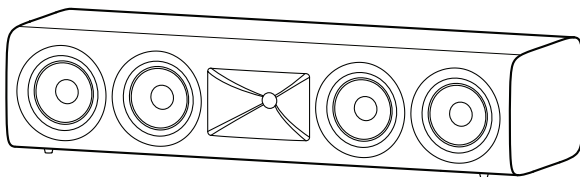


**HDI-3600**

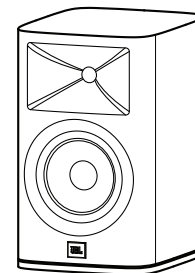


**Carpet Spikes**  
HDI-3600/3800

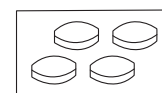
**HDI-4500**



**Rubber Feet**  
HDI-4500  
(Pre-installed)



**HDI-1600**

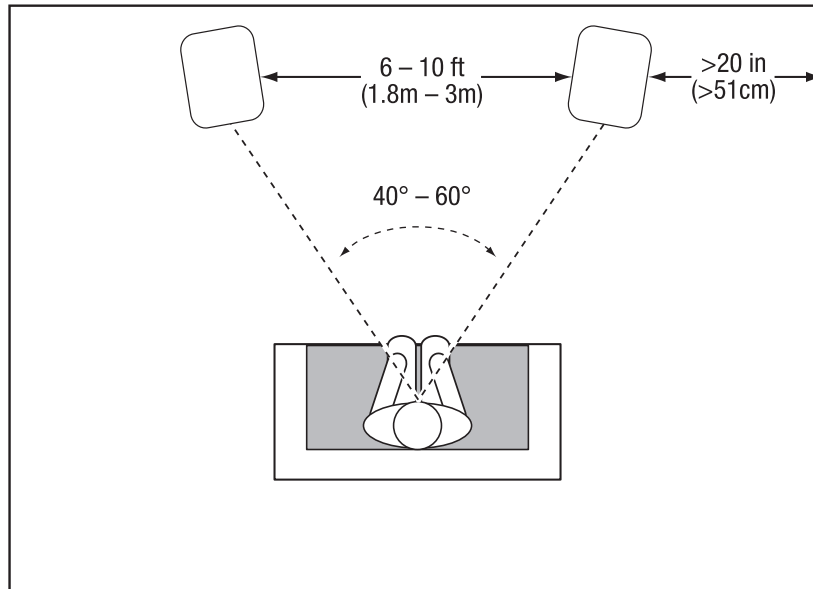


**Feet Pad**  
HDI-1600

## PLACEMENT

### HDI-3600/3800 FLOORSTANDING LOUDSPEAKER, HDI-1600 BOOKSHELF LOUDSPEAKER

For the best results, place the speakers 6 – 10 feet (1.8m – 3m) apart. Angling the speakers toward the listening position can improve the stereo imaging. The speakers will produce the most accurate stereo soundstage when the angle between the listener and the speakers is between 40 and 60 degrees.

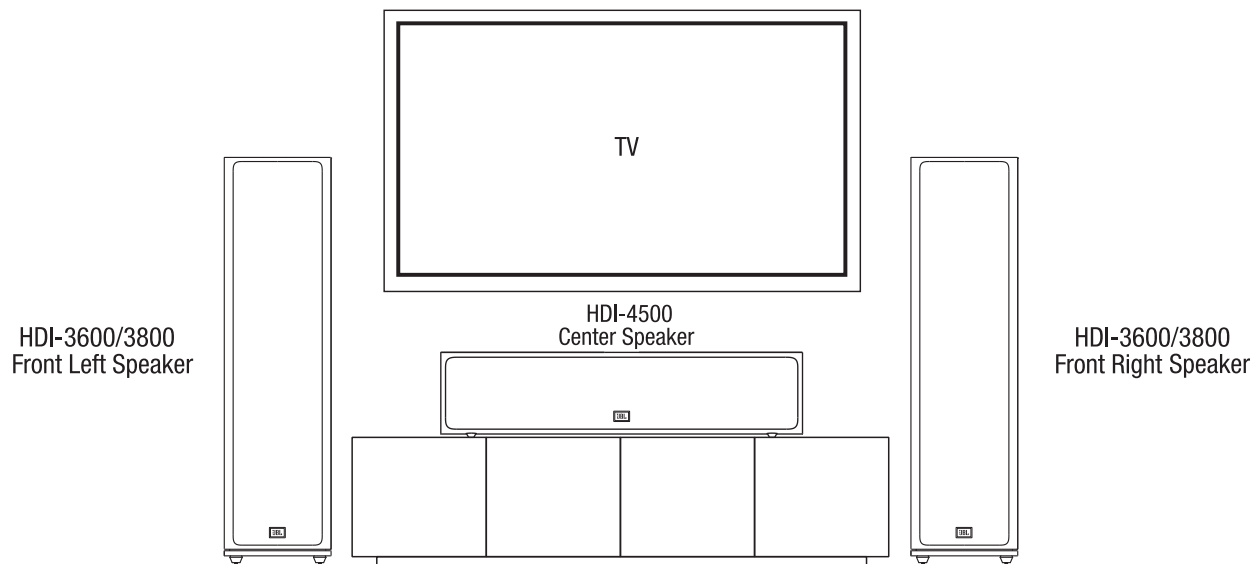


Generally, bass output will increase as the speaker is moved closer to a wall or corner.

For the best performance, we recommend that you place the speakers at least 20 inches (51cm) away from the side walls.

### HDI-4500 CENTER CHANNEL SPEAKER

You should place the HDI-4500 center speaker directly above or below the center of your TV screen. The center of the speaker's horn should be no more than 2 feet (61cm) above or below the centers of the front left and front right speakers' horns. If your TV set is deep enough, you can set the center speaker on top of the TV, with the speaker's front edge even with the TV's front edge.

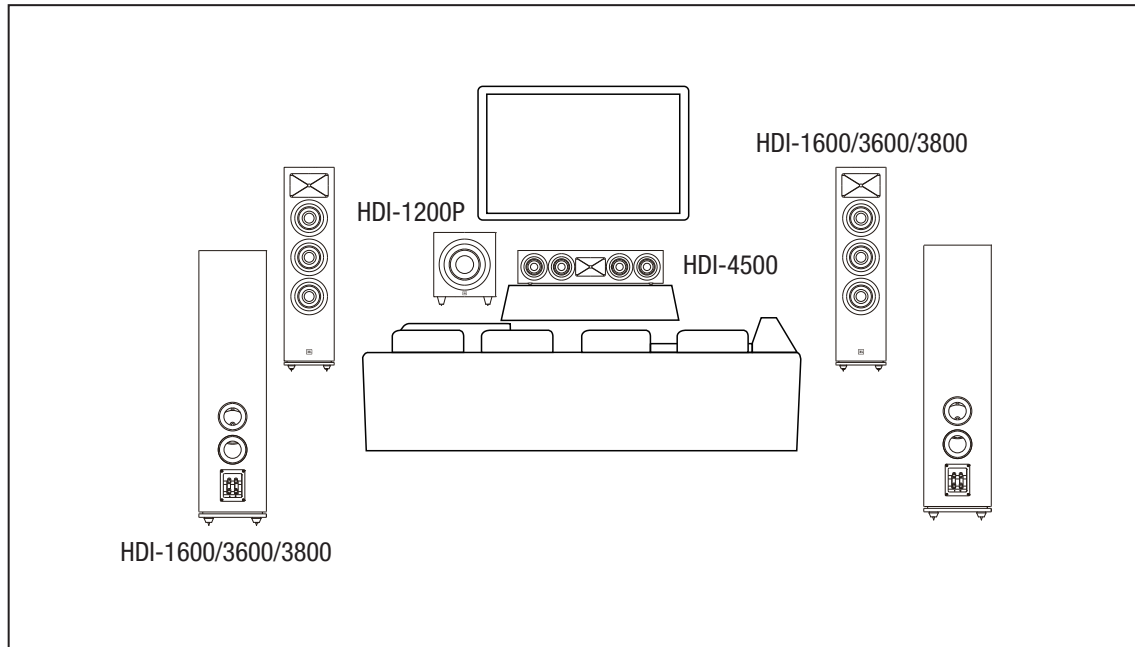


Note: You can place HDI-4500 below or above the TV.

Note: For better audio listening performance, please align the center speaker towards your head level position.

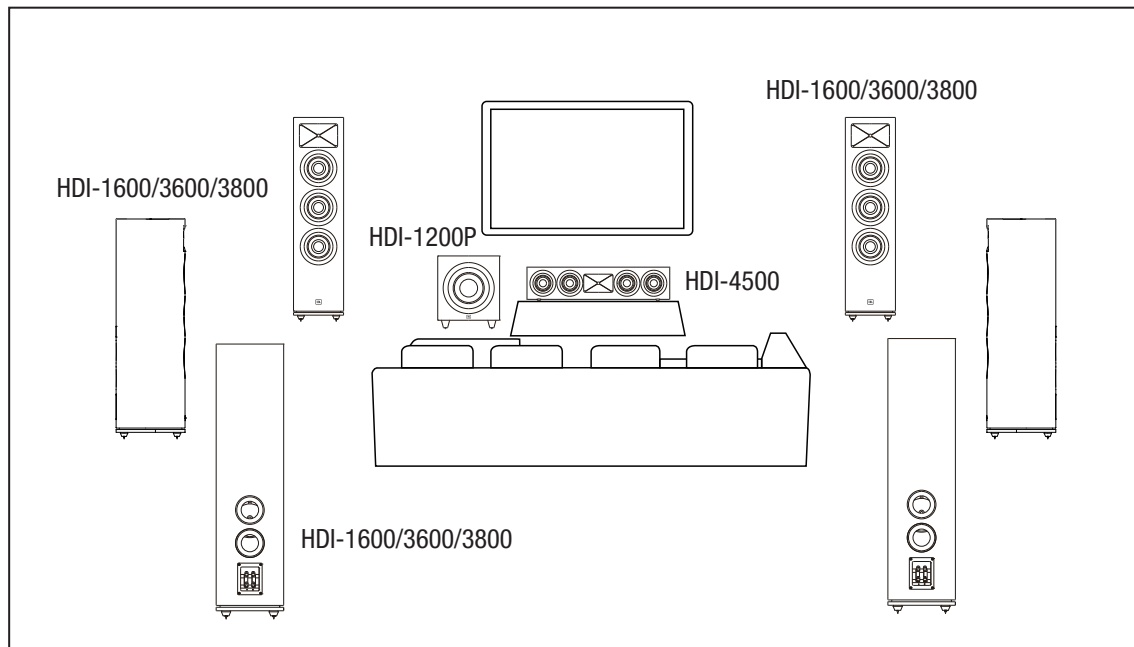
### JBL HDI SERIES LOUDSPEAKER - HOME THEATER SPEAKERS 5.1 PLACEMENT SUGGESTION LAYOUT DIAGRAM

When you use HDI-1600/3600/3800/4500 speakers as surround-channel speakers in a 5.1-channel system, place them slightly behind the listening position, facing each other. Ideally, they should be 3 – 4 feet (0.9m – 1.2m) above the floor. An alternate location would be on a wall behind the listening position, facing forward. The surround speakers should not call attention to themselves while they're playing. Experiment with their placement until you hear a diffuse, ambient sound accompanying the sounds that you hear from the front left, front right and center speakers.



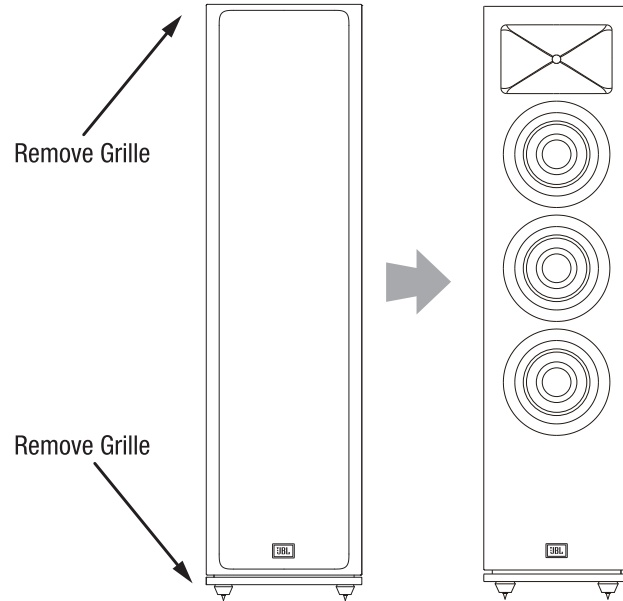
### JBL HDI SERIES LOUDSPEAKER - HOME THEATER SPEAKERS 7.1 PLACEMENT SUGGESTION LAYOUT DIAGRAM

When you use HDI-1600/3600/3800/4500 speakers as surround-channel speakers in a 7.1-channel system, place the surround side speakers directly to the sides of the listening position, at least 3 – 4 feet (0.9m – 1.2m) above the floor. Place the surround back speakers on the wall behind the listening position, also at least 3 – 4 feet (0.9m – 1.2m) above the floor and 3 – 6 feet (0.9m – 1.8m) apart.



## REMOVING THE GRILLES

You can remove the HDI series loudspeaker grilles by pulling them away from the enclosure.



## CONNECTIONS

**CAUTION: Make sure that all of the system's electrical components are turned OFF (and preferably unplugged from their AC outlets) before making any connections.**

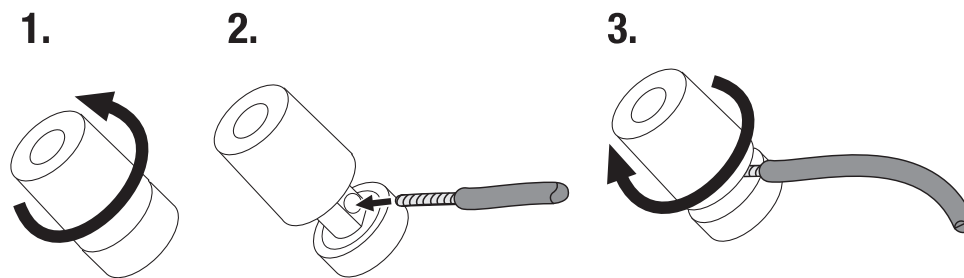
Speakers and amplifiers have corresponding positive and negative (“+” and “-”) connectors. All HDI series speakers have connectors that are marked “+” and “-” on the terminal-cup assembly. Additionally, the “+” connectors have red markings, while the “-” connectors have black markings.

To ensure proper polarity, connect each “+” connector on the back of the amplifier or receiver to the respective “+” (red) connector on each speaker. Connect the “-” connectors in a similar way. Do not reverse polarities (i.e., “+” to “-” or “-” to “+”) when making connections. Doing so will cause poor stereo imaging and diminished bass performance.

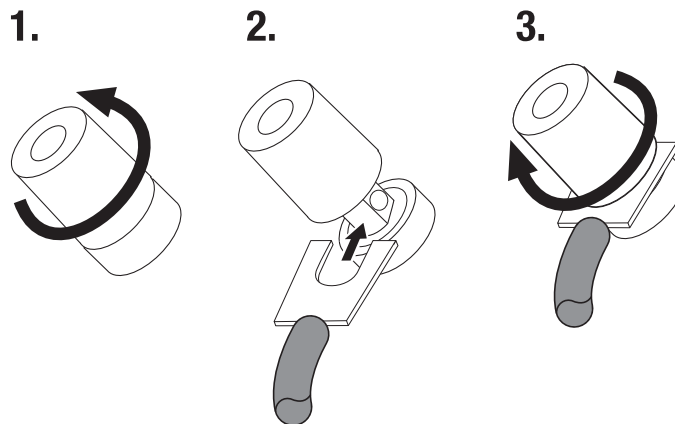
**IMPORTANT: Make sure the “+” and “-” wires or connectors do not touch each other or the other terminal. Touching wires can cause a short circuit that can damage your receiver or amplifier.**

The HDI series speakers' gold-plated speaker connectors can accept a variety of wire connector types: bare wire, pin connectors, spade connectors and banana connectors.

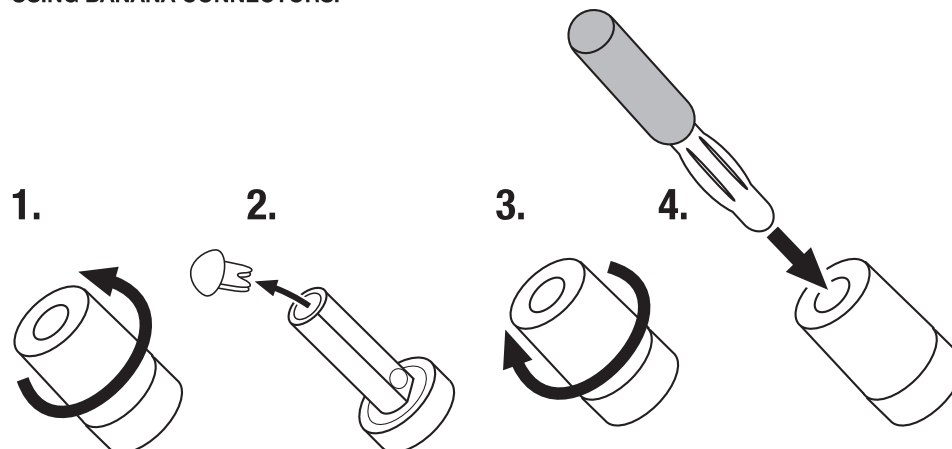
### USING BARE WIRE OR PIN CONNECTORS:



### USING SPADE CONNECTORS:



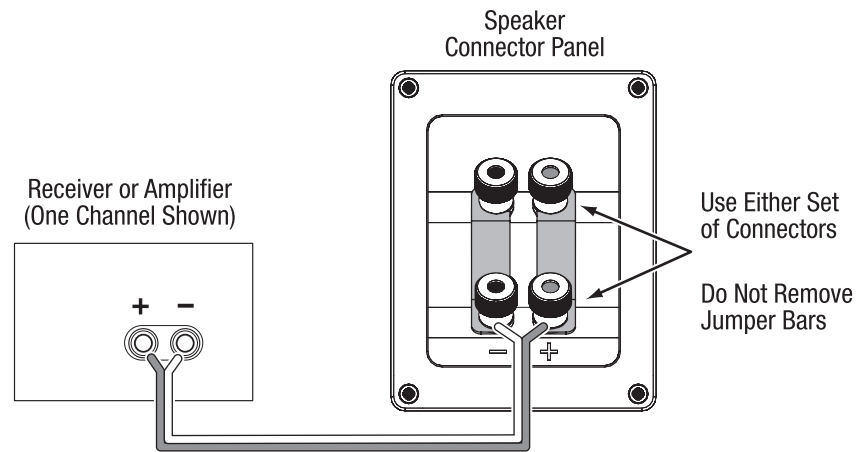
### USING BANANA CONNECTORS:



### BASIC SINGLE-WIRE CONNECTION

To connect the speakers using a single wire, connect the amplifier to each speaker as shown in the illustration below. You can use either set of connectors on the connector panel.

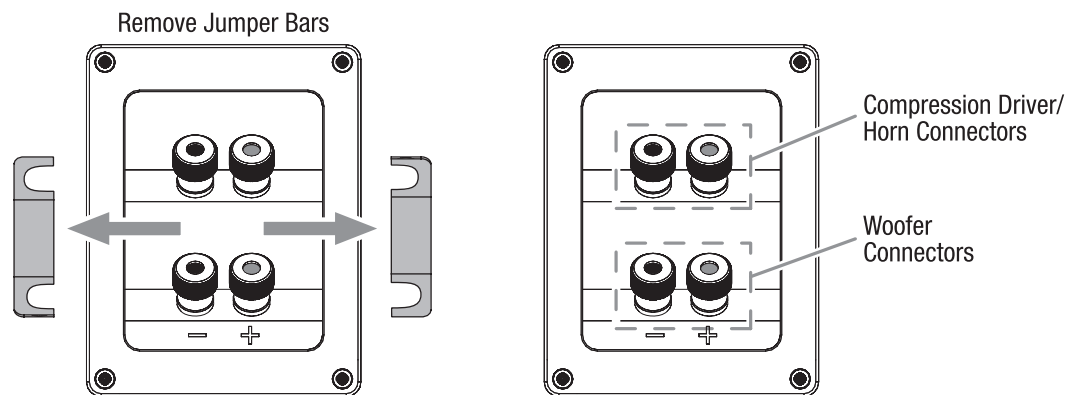
**IMPORTANT: Do not remove the metal jumper bars from between the two sets of connectors when connecting the speaker wires.**



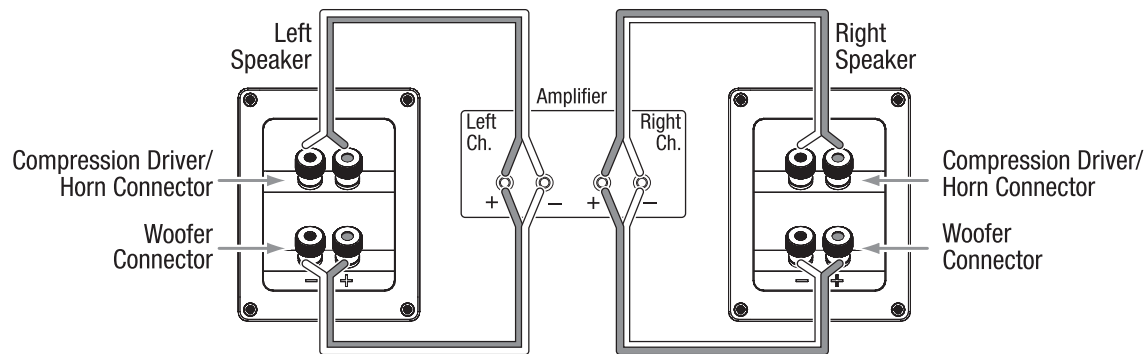
### BI-WIRE CONNECTION

HDI series loudspeakers connector panels that have two sets of input connectors are joined by metal jumper bars. The upper set of connectors is for the compression-driver/horn assembly, and the lower set of connectors is for the woofer(s). This arrangement allows you to bi-wire the speakers using a single stereo amplifier or using two stereo amplifiers. Bi-wiring can offer performance advantages and more flexibility in power-amplifier selection over a conventional single-wire connection.

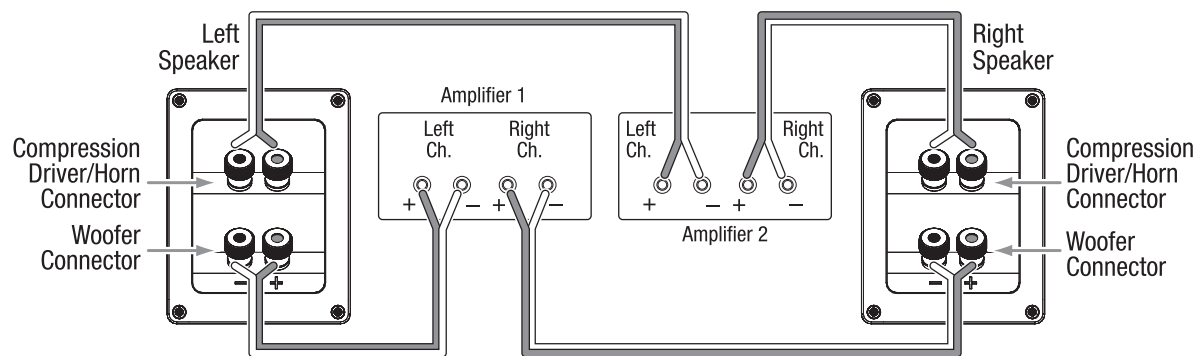
Before bi-wiring the speakers, remove the jumper bars.



### SINGLE-AMPLIFIER BI-WIRING



### DUAL-AMPLIFIER BI-WIRING



For more information about various speaker-wire and connection options, contact your local JBL dealer.

### CARING FOR YOUR SPEAKERS

- Wipe the cabinet with a clean, dry cloth to remove dust. Damp cloth may dull the cabinet's finish. Do not use volatile liquids such as benzene, paint thinner or alcohol on the cabinet.
- Do not spray insecticide near the cabinet.
- To remove dust from the grille fabric, use a vacuum cleaner set to low suction.
- Never apply suction or pressurized air to the horn opening.
- Do not wash the grilles in water, as it may fade the color or make it uneven.
- If the surfaces of the woofer cones become dusty, you can carefully sweep them clean with a soft, dry calligraphy brush or paint brush. Do not use a damp cloth.



## SPECIFICATIONS

MODEL	HDI-1600	HDI-3600	HDI-3800	HDI-4500
DESCRIPTION	2-way bookshelf loudspeaker	Triple 6.5", 2.5-way floorstanding loudspeaker	Triple 8", 2.5-way floorstanding loudspeaker	Quad 5.25", 2.5-way center channel loudspeaker
ENCLOSURE TYPE	Bass-reflex design with rear-firing port	Bass-reflex design with rear-firing port	Bass-reflex design with rear-firing port	Bass-reflex design with rear-firing port
HF DRIVE COMPONENT	1 inch/ 25mm Teonex compression driver	1 inch/ 25mm Teonex compression driver	1 inch/ 25mm Teonex compression driver	1 inch/ 25mm Teonex compression driver
LF / MF DRIVE components	6.5-inch/ 165mm black aluminum cone, cast-frame woofers	6.5-inch/ 165mm black aluminum cone, cast-frame woofers	8-inch / 200mm black aluminum cone, cast-frame woofers	5.25-inch / 130mm black aluminum cone, cast-frame woofers
CROSSOVER FREQUENCY	1900Hz	900Hz, 2000Hz	800Hz, 1800Hz	600Hz, 2200Hz
SENSITIVITY (2.83V @ 1M)	85dB@1m,2.83V	90dB@1m, 2.83V	92dB@1m, 2.83V	90dB@1m, 2.83V
NOMINAL IMPEDANCE	4 Ohm	4 Ohm	4 Ohm	4 Ohm
RECOMMENDED AMPLIFIER POWER	15W-200W	20W-250W	25W-300W	20W-250W
Frequency Response	40 Hz - 30k Hz (-6dB)	38 Hz - 30k Hz (-6dB)	37 Hz - 30k Hz (-6dB)	50 Hz - 30k Hz (-6dB)
Dimensions (W x D x H, grille included):	9.06" x11.60" x14.57" (230 x 294.7 x 370mm )	10.04" x13.46" x38.84" (255 x 341.9 x 986.5mm )	11.81" x16.45" x43.33" (300 x 417.8x 1100.5mm )	33.13" x12.30" x7.48" (841.4 x 312.5x 190mm )
Product Weight (grille included):	21.96lb(9.96kg)	61.80lb(28.03kg)	83.78lb(38.00kg)	44.33lb(20.11kg)

### 产品中有害物质的名称及含量

部件名称	目标部件	有害物质或元素					
		铅(Pb)	汞(Hg)	镉(Cd)	六价铬(Cr(VI))	多溴联苯(PBB)	多溴二苯醚(PBDE)
电路板	印刷电路板, 电路板上的电子零件 (不包括特定电子零件), 内部相关连接线	X	0	0	0	0	0
箱体	外壳, 面板, 背板等	X	0	0	0	0	0
特定电子零部件	变压器, 保险丝, 大型电解电容, 电源插座	X	0	0	0	0	0
附件	电线, 说明书, 包装等	X	0	0	0	0	0

本表格依据SJ/T 11364的规定编制


O: 表示该有害物质在该部件所有均质材料中的含量均在GB/T 26572 规定的限量要求以下。

X: 表示该有害物质至少在该部件的某一均质材料中的含量超出GB/T 26572规定的限量要求。



在中华人民共和国境内销售的电子电气产品上将印有“环保使用期”(EPU)符号。圆圈中的数字代表产品的正常环保使用年限。



Торговая марка	: JBL
Назначение товара	: Пассивная акустическая система (HDI-4500, 1600, 3600, 3800)
Изготовитель	: Харман Интернешнл Индастриз Инкорпорейтед, США, 06901 Коннектикут, г.Стамфорд, Атлантик Стрит 400, офис 1500
Страна происхождения	: Китай
Импортер в Россию	: ООО «ХАРМАН РУС СиАйЭс», Россия, 127018, г.Москва, ул. Двинцев, д.12, к 1
Гарантийный период	: 1 год
Информация о сервисных центрах	: <a href="http://www.harman.com/ru">www.harman.com/ru</a> тел. +7-800-700-0467
Срок службы	: 5 лет
товар сертифицирован	: 
Дата производства	: Дата изготовления устройства определяется по двум буквенным обозначениям из второй группы символов серийного номера изделия, следующих после разделительного знака «-». Кодировка соответствует порядку букв латинского алфавита, начиная с января 2010 года: 000000-MY000000, где «M» - месяц производства (A - январь, B - февраль, C - март и т.д.) и «Y» - год производства (A - 2010, B - 2011, C - 2012 и т.д.).

Используйте устройство только по прямому назначению в соответствии с предоставленной инструкцией. Не пытайтесь самостоятельно вскрывать корпус товара и осуществлять ремонт. В случае обнаружения недостатков или дефектов, обращайтесь за гарантийным обслуживанием в соответствии с информацией из гарантийного талона. Особые условия хранения, реализации и (или) транспортировки не предусмотрены. Избегайте воздействия экстремальных температур, длительного воздействия влаги, сильных магнитных полей. Устройство предназначено для работы в жилых зонах. Срок годности не ограничен при соблюдении условий хранения.





HARMAN International Industries, Inc.  
8500 Balboa Boulevard, Northridge, CA 91329 USA  
[www.jblsynthesis.com](http://www.jblsynthesis.com)

© 2020 HARMAN International Industries, Incorporated. All rights reserved.  
JBL and HDI (High Definition Imaging) are trademarks of HARMAN International Industries, Incorporated, registered in the United States and/or other countries.  
PolyPlas and Symmetrical Field Geometry are trademarks of HARMAN International Industries, Incorporated.  
Features, specifications and appearance are subject to change without notice.

Part No. 950-0563-001



EN :For additional languages, please visit [jblsynthesis.com](http://jblsynthesis.com)  
FR :Pour les autres langues, veuillez visiter [jblsynthesis.com](http://jblsynthesis.com)  
ES :Para obtener otros idiomas, visite [jblsynthesis.com](http://jblsynthesis.com)  
DE :Informationen in weiteren Sprachen finden Sie unter [jblsynthesis.com](http://jblsynthesis.com)  
RU :Если вам нужны версии на других языках, перейдите на сайт [jblsynthesis.com](http://jblsynthesis.com)  
JP :他の言語で読むには、[jblsynthesis.com](http://jblsynthesis.com)にアクセスしてください  
KO :추가 언어에 대해서는 [jblsynthesis.com](http://jblsynthesis.com)에서 확인하십시오  
CHN:如需其他语言, 请访问 [www.jblsynthesis.com](http://www.jblsynthesis.com)